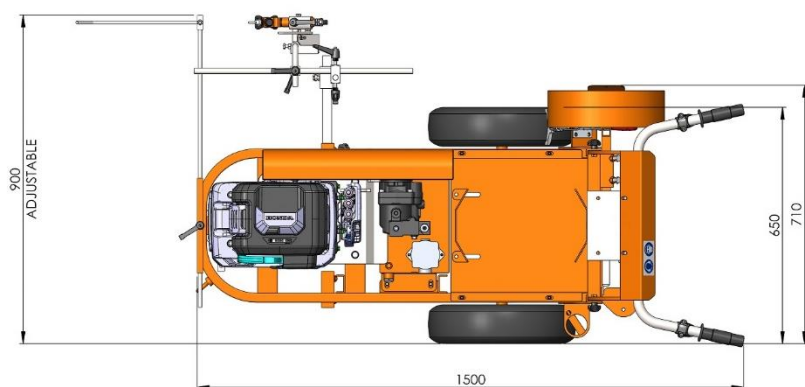
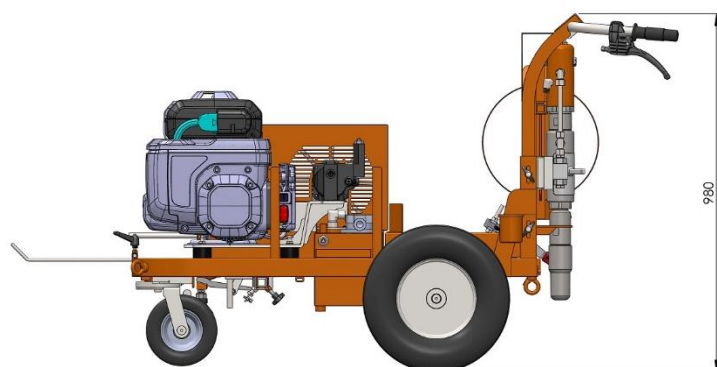


AR30PROP-AVH TECHNICAL DATA SHEET

(BATTERY-POWERED ELECTRIC airless road marking machine)



MODEL	AR30PROP-AVH
Technology	AIRLESS
Guns:	from 1 to 2
Max line width:	50 cm (<i>achievable only with proper optional equipment</i>)
Sprayable products:	not refractive paints, specifically formulated for airless application
Dimensions	1500x710x h980 mm
Weight	162 Kg

STANDARD CONFIGURATION
Battery power supply
Electric engine HONDA GXE2.0 2,4 HP (1,8 Kw)
Hand push
Airless hydraulic piston pump 6,17 l/min
1 removable paint gun with nozzle for line 10-15 cm
High-pressure paint filter
Swivel front wheel

Photos are not contractual.

1 swappable lithium-ion rechargeable battery

Battery voltage: 72V 10 Ah

Engine-integrated battery monitoring system

Quick charger separate from the machine. Input voltage 100Vac – 240 Vac

cod.	OPTIONAL
MT00236	» Second swappable lithium-ion rechargeable battery
HMC-B/HMC-H	» HMC Hydraulic Motorized Chariot. <i>To transform the push machine in a machine with drive</i>
HMC-AV	» HMC-AV Battery-powered electric Motorized Chariot. <i>To transform the push machine in a machine with drive</i>
2PAR30	» Second manual paint gun with kit of cocks, hose, support and lever control
SU00220	» Gun support with swivel wheel
DISPERLAR30-20	» Gravity glass bead system: tank 24 l with 1 dispenser 15 cm (adjustable for 12 and 15 cm)
DISPERLAR30-1515	» Gravity glass bead system: tank 24 l with 2 dispensers 15 cm (adjustable for 12 and 15 cm). <i>For 2 lines</i>
DISPERLAR30-30	» Gravity glass bead system : tank 24 l with 1 dispenser 30 cm (adjustable for 12, 15, 20, 25 and 30 cm)
PL00199	» 50 l plastic bucket for paint
	» Nozzle for line 5 cm; nozzle for line 15-20 cm; nozzle for line 20-25 cm
	» Nozzle for surfaces 15 cm; nozzle for surfaces 20 cm; nozzle for surfaces 25 cm; nozzle for surfaces 35 cm



Removable paint gun,
on standard support

Glass bead dispenser 30 cm
»optional«

Gun support with swivel
wheel
»optional«

